

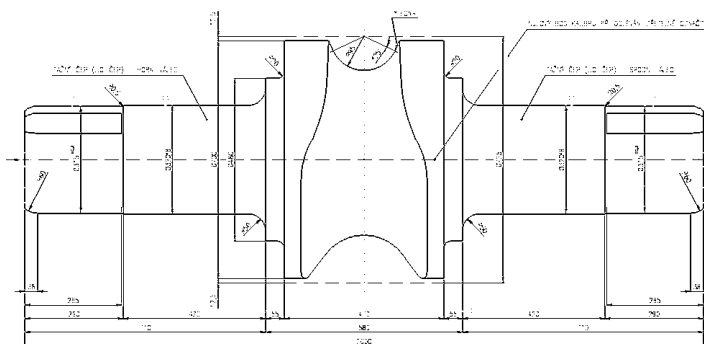
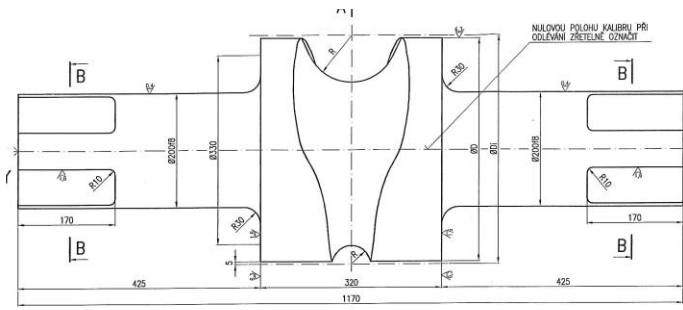


## PILGER ROLLS



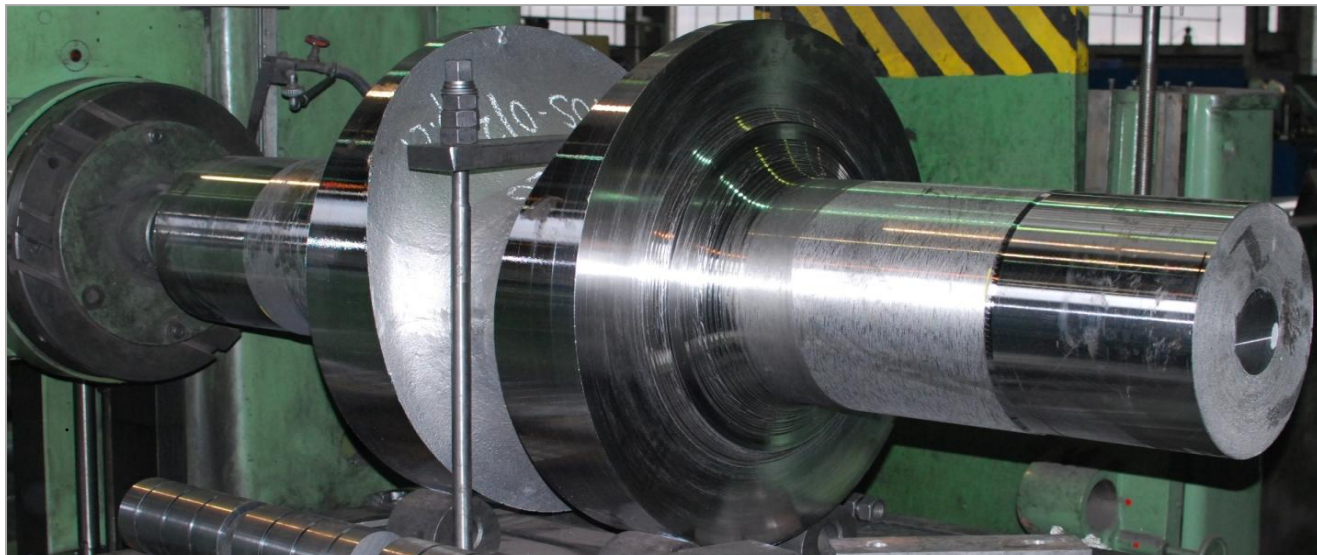
We offer you **manufacturing of pilger rolls** for pilger stands of pipe producers. We have a great experiences with production of these pilger rolls for a long time. We recommend you quality material cast steel of type V75Mo or type V115CrW. The hardness of pilger rolls are usually in interval from 270 HB to 340 HB. These pilger rolls we deliver you with machined body and neck and with blanked groove without final machining of this one.

Max. diameter of pilger roll is 900 mm, bigger after discussion. Technical parameters are open for modify depending on requirements of customers.





## PILGER ROLLS



*Machining of pilger roll*



*Casting of pilger roll with blanked groove*



*Detail of body and neck of pilger*